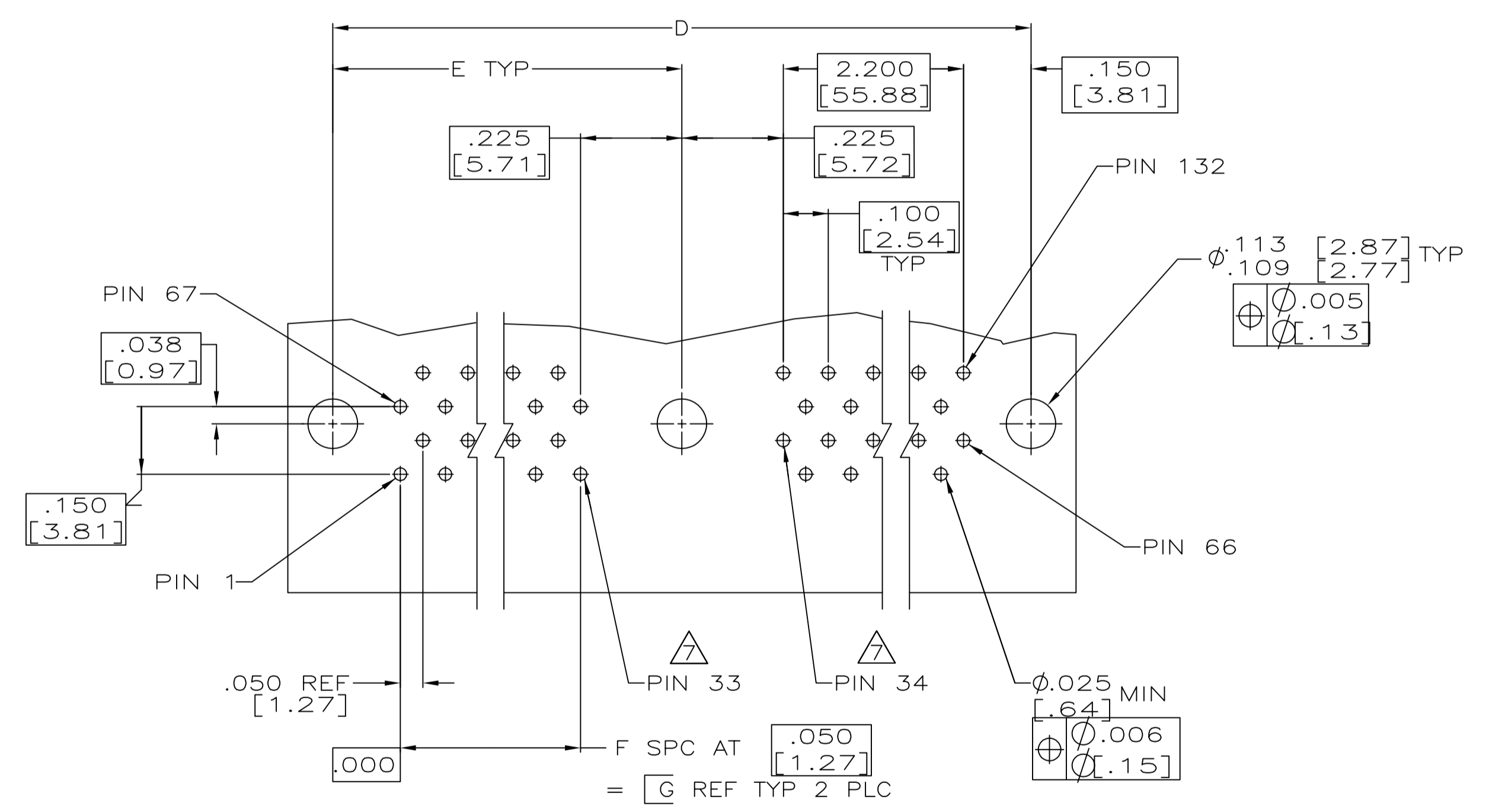
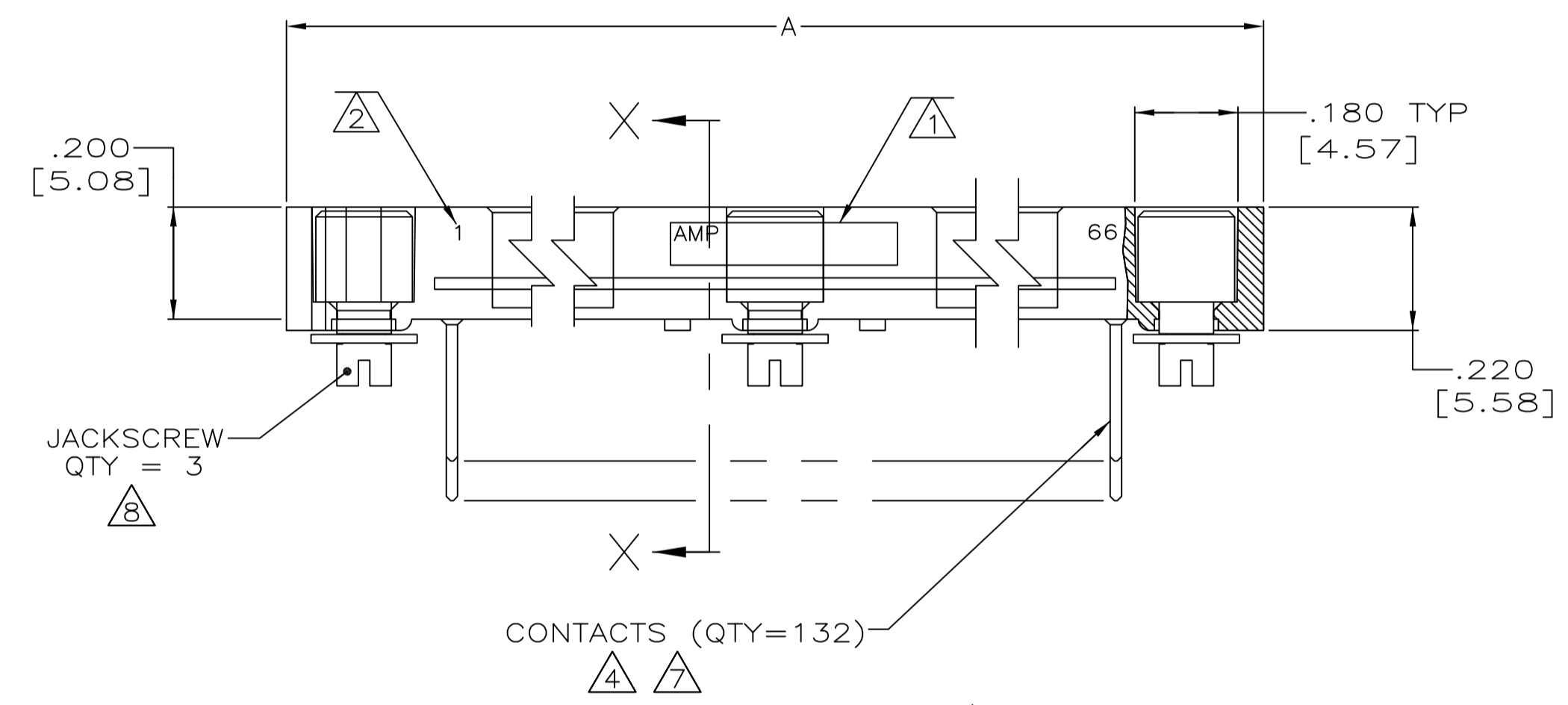
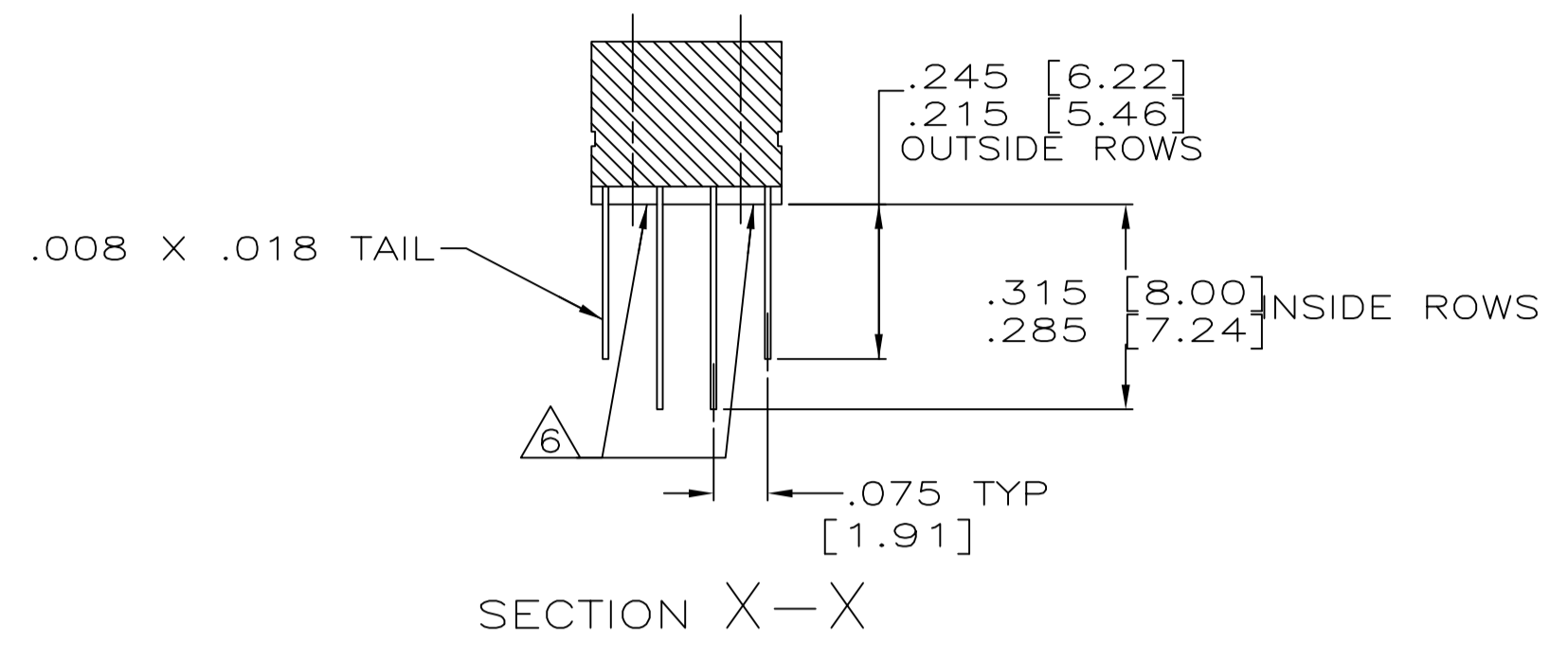
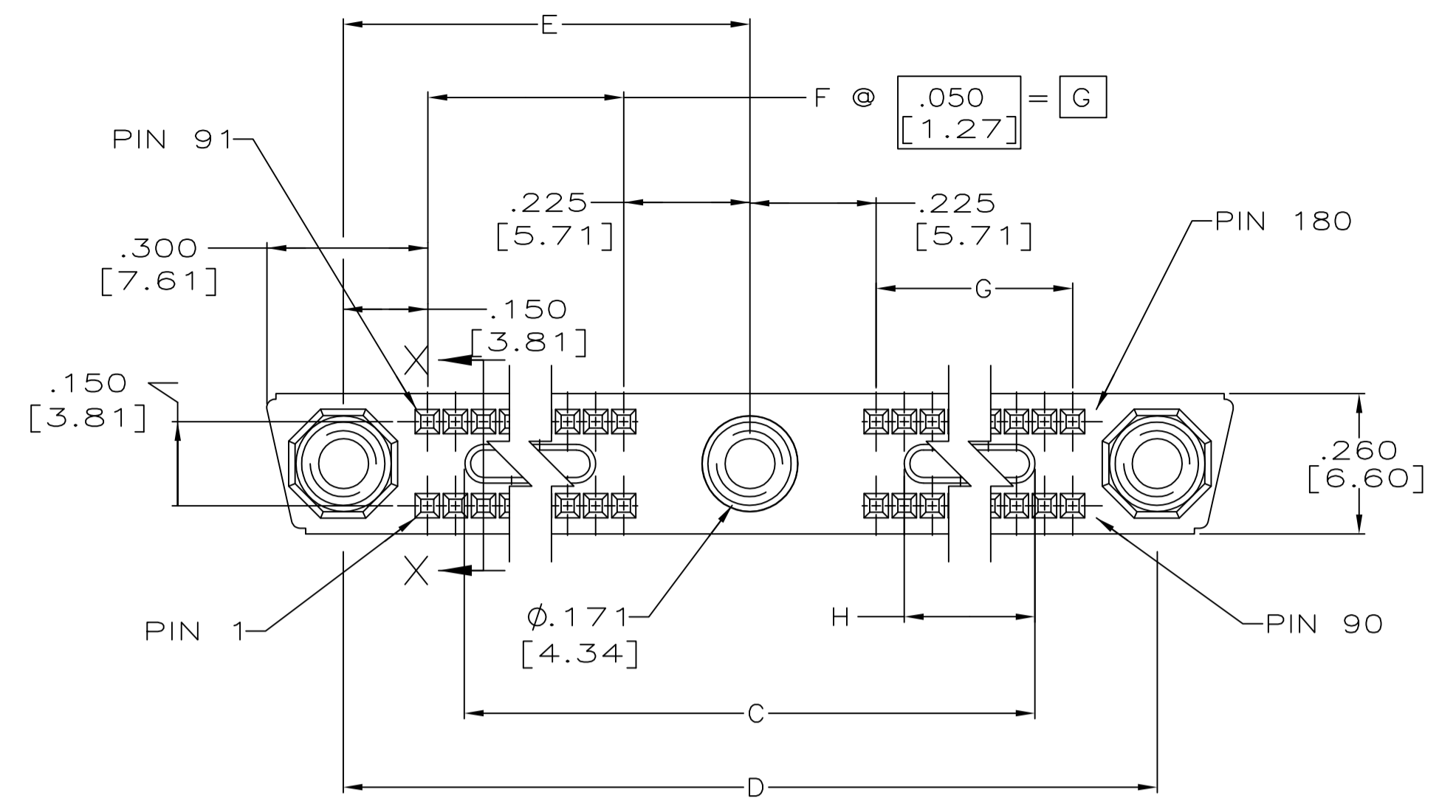


REVISIONS				
P	LTR	DESCRIPTION	DATE	OWN APVD
B		REVISED PER ECO-16-017894	17APR2017	PHM CT



RECOMMENDED PRINTED CIRCUIT BOARD LAYOUT  
CONNECTOR SIDE

- ① AMP, AMP PART NO. AND DATE CODE MARKED IN THIS APPROXIMATE AREA.
- ② NUMBERS INDICATING END POSITIONS MARKED THIS SIDE ONLY.
- ③ MEETS ALL APPLICABLE REQUIREMENTS OF MIL-C-55302.
- ④ FINISH: .000050[0.0012] GOLD PER MIL-G-45204 OVER NICKEL PER QQ-N-290 IN CONTACT AREA. REMAINDER OF CONTACT TIN-LEAD OVER NICKEL.
- ⑤ HOUSING MATERIAL: LIQUID CRYSTAL POLYMER PER MIL-M-24519, GLCP-30F; COLOR: GRAY.
- ⑥ BOTTOM SURFACE OF HOUSING SEALED.
- ⑦ CONTACT MATERIAL: PHOS BRONZE PER QQ-B-750
- ⑧ JACKSCREW MATERIAL: STAINLESS STEEL PER ASTM-A-582.

CONTACT IDENT NUMBERS	H	G	F	E	D	C	B	A	NUMBER OF CONTACTS	PART NUMBER
1 & 66	1.450 [36.83]	1.600 [40.64]	32	1.975 [50.17]	3.950 [100.33]	3.500 [88.90]	.987 [25.07]	4.250 [107.95]	132	449868-1

THIS DRAWING IS A CONTROLLED DOCUMENT.		OWN T. ALEXANDER 9-28-94	DATE 9-30-94	NAME D. GUTTER 9-30-94	DESCRIPTION RECEPTACLE ASSEMBLY, EXTENDED MINI-BOX WITH LOW FORCE CONTACTS AND HARDWARE
DIMENSIONS: mm	TOLERANCES UNLESS OTHERWISE SPECIFIED:				
0 PLC ± -	1 PLC ± -				
2 PLC ± -	3 PLC ± .010 [0.25]				
4 PLC ± -	ANGLES ± -				
MATERIAL FINISH	⑤ ⑦ ⑧	④			
SIZE	CAGE CODE	DRAWING NO	RESTRICTED TO		
A1	00779	C=449868	-		
CUSTOMER DRAWING		SCALE	SHEET	REV	
		1:1	1	1	B